

BARCOGRAPHICS 8200

Brilliant Light-Valve Projection for Demanding Graphics Applications

The BARCOGRAPHICS 8200 is a new, high resolution LCD light-valve projector. Based on an improved LCD light-valve technology, the BARCOGRAPHICS 8200 offers 2,250 lumens full white on screens up to 50 ft. wide. Equipped with an advanced Pixel Map Processor and high resolution XGA LCD panels, the BARCOGRAPHICS 8200 is compatible with most of today's PC graphics boards and electronic workstations up to 1,280x1,024 pixels. This makes it a powerful display device for highly demanding graphics applications, such as simulation, CAD/CAM, process control and virtual reality.

Highly advanced optical system

The BARCOGRAPHICS 8200 displays razor sharp graphical images with an outstanding light output of 2,250 lumens full white on screens up to 50 ft. wide.

- Powerful 650 W metal-halide lamp
- Three active matrix 5.8" XGA LCD panels with a resolution of 1,024x768 pixels

Broad compatibility

- All Video sources (PAL, SECAM, NTSC) in Composite, S-VHS, Component (Y, R-Y, B-Y), and RGB format
- Computer signals from most PC graphics boards: CGA, EGA, VGA, S-VGA, XGA and S-XGA
- Electronic workstations with a resolution up to 1,280 x 1,024 pixels
- Any computer source with a pixel clock <135 MHz

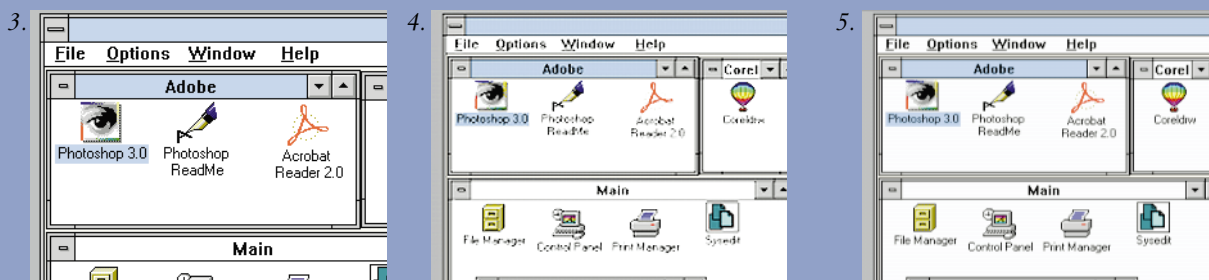
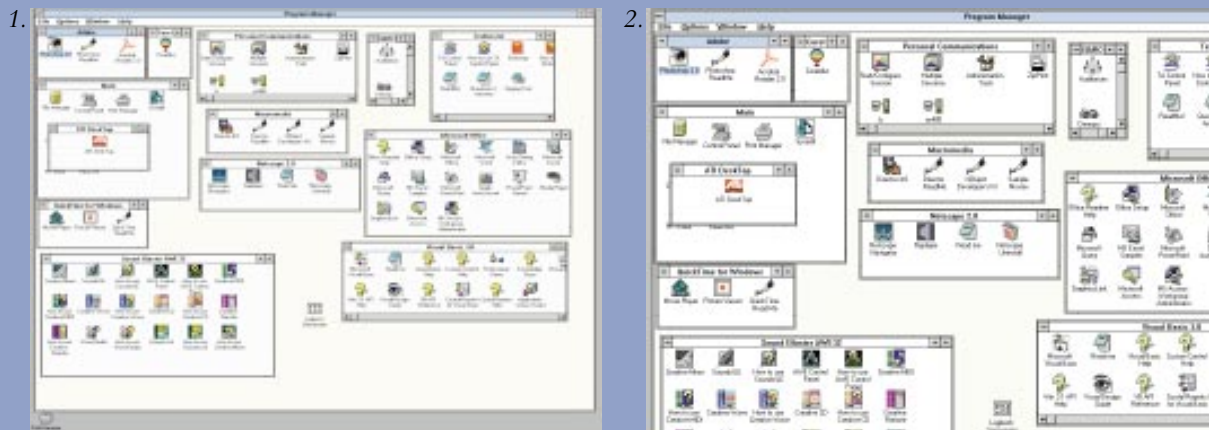
Ultimate flexibility

- Wide range of high definition lenses are available
- Built-in test patterns
- Image freeze facility
- User adjustable geometry corrections (keystone, image size, shift,...)
- Can be easily installed in table or ceiling mount configuration, projects onto any front or rear screen
- Dual or triple mount configurations



High brightness, high resolution LCD graphics projector

High resolution LCD technology



The BARCOGRAPHICS 8200 is based on BARCO's improved LCD light-valve technology, with high resolution XGA LCD panels with a resolution of 1,024 by 768 pixels.

Equipped with a high-performance, proprietary Pixel Map Processor, the BARCOGRAPHICS 8200 is compatible with all PC graphics standards up to a resolution of 1,280 x 1,024 pixels, including CGA, EGA, VGA, SuperVGA (800x600), XGA (1,024x768) and S-XGA (1,280x1,024) as well as workstations up to 1,280x1,024 pixels.

The Pixel Map Processor converts all incoming signals to the full resolution of the LCD panels in order to maximise the light output and resolution of the projector.

The Pixel Map Processor calculates every pixel to be displayed by means of state-of-the-art digital signal processing techniques. The result is optimal picture quality, with smooth and exceptionally readable characters.

1. Complete full-screen image in 1,280x1,024 pixels, projected by a BARCOGRAPHICS 8200.

2. Image projected without conversion by BARCO's Pixel Map Processor (1:1). Part of the image can not be displayed.

3. Detail of image projected without conversion by BARCO's Pixel Map Processor (1:1).

4. Detail of image projected after conversion by a conventional scan converter.

5. Detail of image projected after conversion by BARCO's intelligent Pixel Map Processor.

Easy set-up and control

The BARCOGRAPHICS 8200 uses logical on-screen menus, accessible through a convenient backlit infrared remote control unit. Built-in test patterns and an image freeze facility provide superior control and unmatched versatility.

Flexible installation configurations

The BARCOGRAPHICS 8200 can be used in front or rear screen installations, and in table or ceiling mount configurations. In addition, the projector can be integrated in a dual or triple configuration on one single screen. User adjustable geometry

corrections (keystone, image size, shift,...) provide perfect image geometry for non-standard applications.

Technical specifications

Light output

AC Power mode	Full white Lumens	ANSI Lumens
230 VAC operation	2,250	2,000
120 VAC operation	2,000	1,750

Brightness uniformity:
> 80% for the total screen area.

LCDs

3 active matrix LCD panels (5.8" diagonal), with a resolution of 1,024 x 768 pixels, resulting in an overall resolution of nearly 2.4 million pixels, and selected for a minimum of pixel defects⁽¹⁾.

Lamp

650 W metal-halide hot restrike lamp.
Typical lifetime: 1,000 hours with a brightness maintenance of 80 %

Available lenses

- Fixed focal length lenses are available with a throw ratio of 1.2, 2.2, 3.3, 4.0, 5.0 or 7.0:1.
- Variable focus lenses:
 - throwing distance= 1.5 - 3 times the screen width
 - throwing distance= 3 - 5.3 times the screen width
- Anamorphic lens with a throw ratio of 3.5:1 (16:9 aspect ratio)

Lens Type	Order Nr
HD (1.2:1)	R9829200
HD (2.2:1)	R9829060
HD (3.3:1)	R9829075
HD (4:1)	R9829145
HD (5:1)	R9829180
HD (7:1)	R9829090
HD (1.5-3:1) (zoom)	R9829150
HD (3-5.3:1) (zoom)	R9829190
WHD (3.5:1) (anamorphic)	R9829320
HD (0.9:1) ⁽²⁾	R9829550



- Lens with a very short throw ratio of 0.9:1, for use with a special version of the BARCOGRAPHICS 8200.

Screen sizes

Min.: 3.3' x 2.5'
Max.: 50' x 37.5'

Contrast ratio

> 220:1 (on 5x4 B/W checkerboard)
> 380:1 (full white / full black)

Compatibility

The BARCOGRAPHICS 8200 is compatible with:

- All video sources (PAL, SECAM, NTSC 3.58, NTSC 4.43) in Composite, S-VHS, RGB or Component formats
- All currently proposed HDTV, extended and improved television standards (Eureka 95, Hi-Vision, ACTV, IDTV, EDTV,...)
- All computer graphics formats from CGA, EGA, VGA (640x480), S-VGA (800x600), XGA (1,024 x 768), up to S-XGA (1,280 x 1,024)
- Most Macintosh computers
- Electronic workstations with a resolution up to 1,280 x 1,024 pixels
- Most computer sources with pixel clock < 135 MHz

Inputs

The projector has four input slots. Four different types of input modules are available:

- Video/S-Video input: Video on BNC, S-Video on 4-pin DIN connector
- Component Video input (Y, R-Y, B-Y, S) on 4 BNC connectors
- RGB Analog input with standard sync (BNC connectors), sync on green or separate sync
- RGB Analog input with Tri-level sync (BNC connectors), sync on green or separate sync

Furthermore, there are:

- RS232 loop-through input (D9-connector) for PC based projector control
- Communication input (D9-connector) for peripherals

Inputs	Order Nr
Video/S-Video	R9827900
RGB Analog (standard sync)	R9827910
RGB Analog (Tri-level sync)	R9827920
Component Video	R9827930



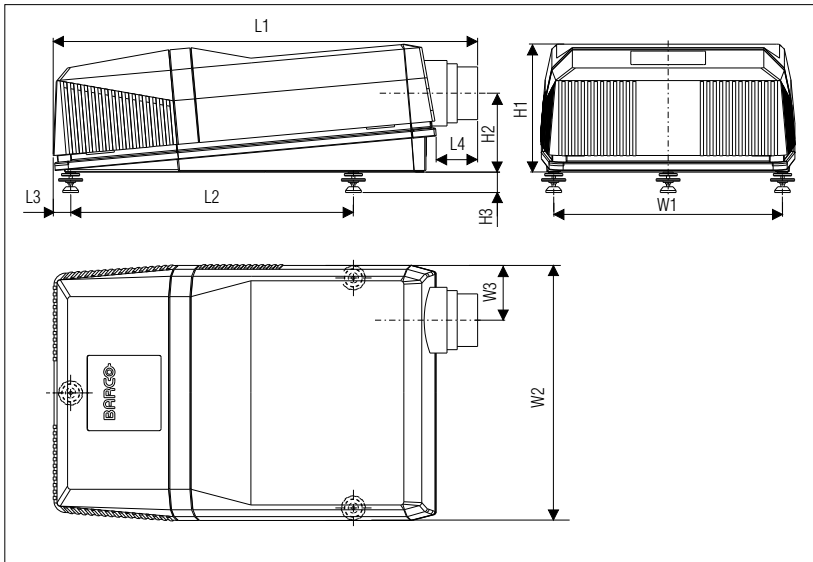
The BARCOGRAPHICS 8200 has a modular input design, which accepts a variety of input modules.

Special features

- Extensive geometry corrections (keystone, image size, shift,...)
- Internal test patterns (hatch, outline, color bars, multiburst and checkerboard)
- External auto-diagnostics with 2x7 segment LED display
- Intuitive on-screen display: installation and service screens, barscale display of user settings, on-screen display of selected source
- Color temperature adjustment (3200 K, 6500 K, 9300 K or custom)
- Built-in freeze facility
- Built-in help menus
- RS232 control
- Adjustable leveling feet
- Optional light shutter blanks image when paused
- An optional stacking frame allows quick and easy set-up of the projector for dual or triple stacked applications
- Optional built-in adjustable lens holder, ideal for dual or triple stacked configurations

⁽¹⁾ Further information is available on request.

⁽²⁾ Requires a special version of the BarcoGraphics 8200.



Dimensions ⁽⁴⁾ mm		inch
L1	1,022-1,162	40.24-45.75
L2	702	27.64
L3	43	1.69
L4	70-210	2.76-8.27
W1	569	22.40
W2	630	24.80
W3	135	5.32
H1	316	12.44
H2	195	7.68
H3	43-50	1.69-1.97

Remote control

All controls are accessible through a soft-touch panel or a user-friendly backlit infrared remote control.

- Source switching
- User settings per source
- Installation and service adjustments

Safety regulations

The BARCOGRAPHICS 8200 complies with UL1950 and EN60950

Electromagnetic interference

The BARCOGRAPHICS 8200 complies with FCC Rules & Regulations, part 15 Class A and CE EN 55022 Class A

Warm-up time

Less than 2 minutes to meet full specifications

Weight⁽³⁾

Net weight : 70 kg (154 lbs)
Shipping weight: 110 kg (242 lbs)

AC power

Power factor pre-regulated SMPS, auto-ranging from 85 to 255 VAC

AC power consumption

860 watt (120 VAC/8A)
880 watt (230 VAC/4A)

Order information

BARCOGRAPHICS 8200⁽³⁾ R9001330

RCVDS 05 source selector
230 V: R9827880
120 V: R9827889

Remote infrared receiver
R9827515

Ceiling mount CM 100 LCD
• With pulley system: R9829620
• Without pulley system: R9829621

Carrying handle R9829170

Projection frame R9829210

Flight case R9829120

Multifunctional flightcase
R9829110

Metal-halide lamp	R9829295
Service tool kit	R9829240
Light shutter	R9829270
Executive remote control	R9827970
Windows Communication Software	R9829670

⁽³⁾ Without inputs nor lens. Lenses are sold separately.

⁽⁴⁾ With HD(4:1) lens. Dimensions for other lenses are available on a separate data sheet.

BARCO Projection Systems is an ISO9001 registered company.

The information and data given are typical for the equipment described. However any individual item is subject to change without any notice.

BARCO Projection Systems
Head Office
Noordlaan 5 8520 Kurne, Belgium
Tel: +32 / 56 / 368 211 Fax: +32 / 56 / 351 651

BARCO, Inc.
3240 Town Point Drive
Kennesaw, GA 30144
Tel: (770) 218-3200 Fax: (770) 218-3250

